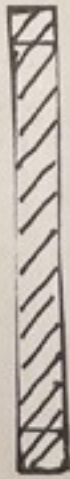
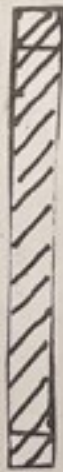
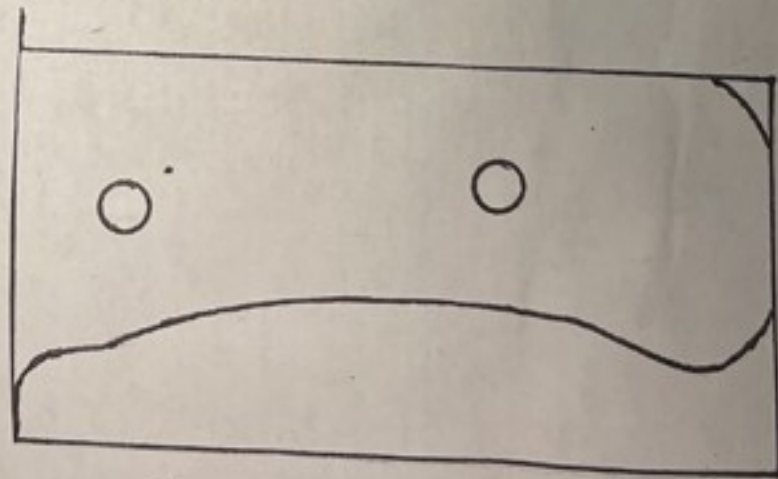
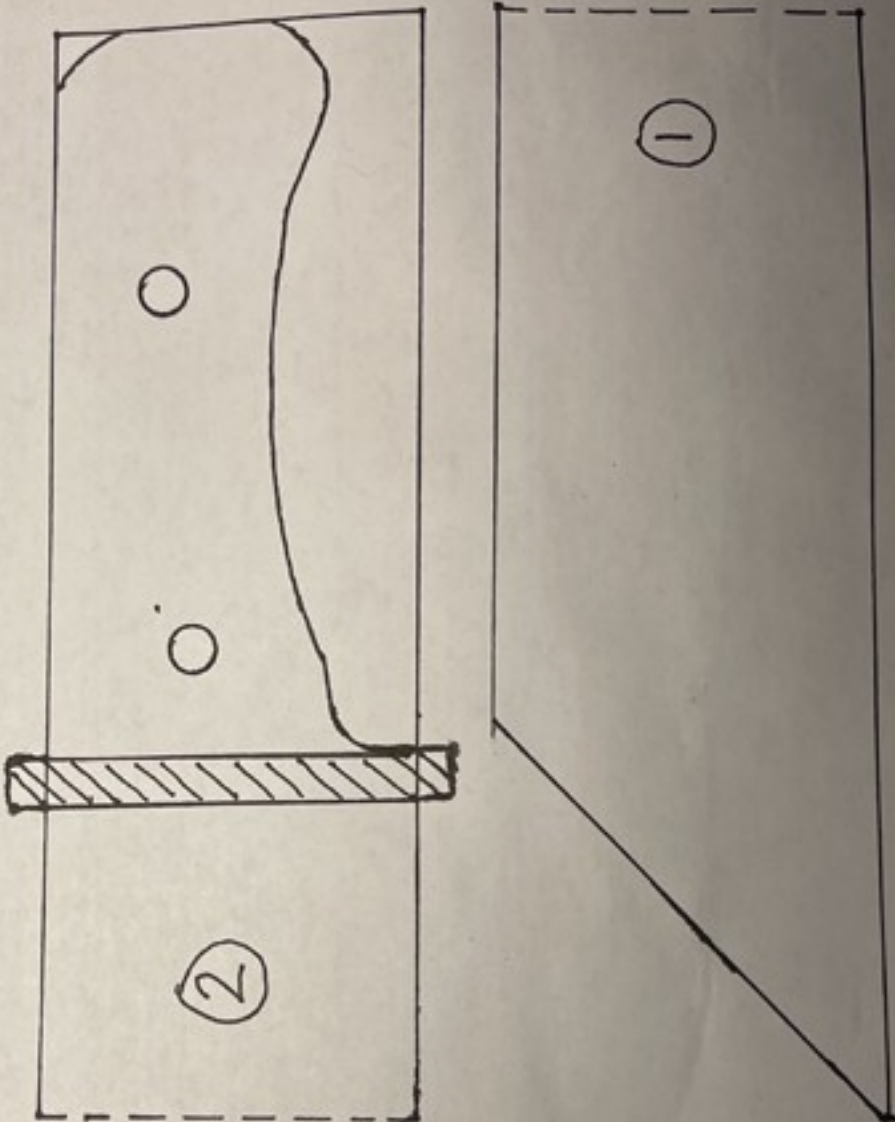


GUMMID (OPTIONAL)



(A) Join
① + ②

(B) FLIP TEMPLATE
FOR OPPOSITE SIDE



HANDGRIP x 2
(FLIP FOR OPPOSITE SIDE)