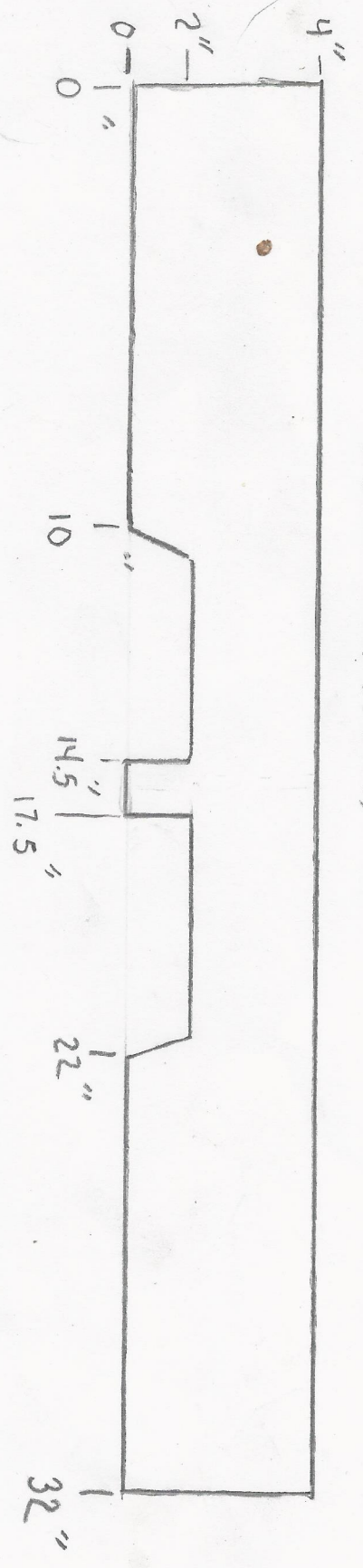
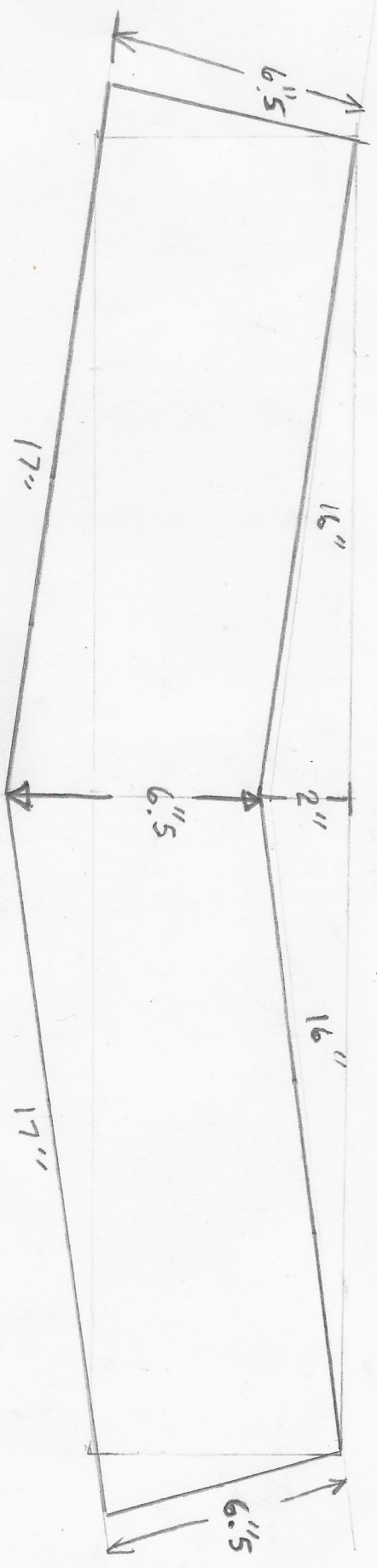


OVERALL LENGTH 32 inches



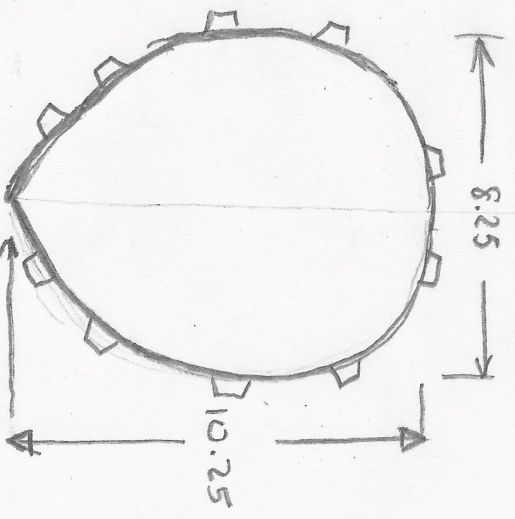
OVERALL LENGTH 32" length



MEDIEVAL
GREY HORN TEMPLATE

COPYRIGHT © 2013 StrantheCastle.com

This template is a close approximation
Make a paper one before working
in steel so you can refine
your sizes and shapes.



tab location
is flexible
each tab approx 1/2" long
and approx 1" wide